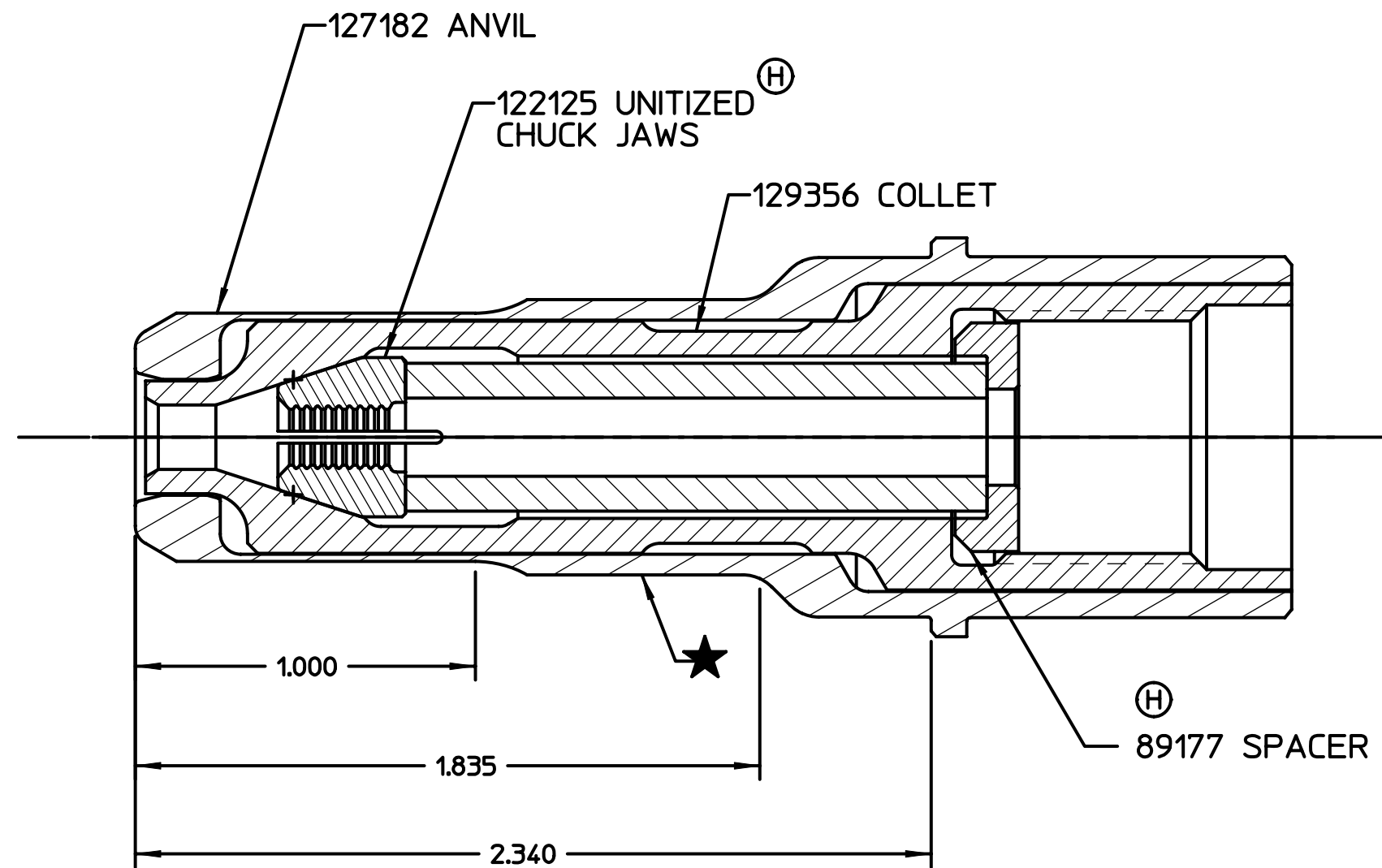
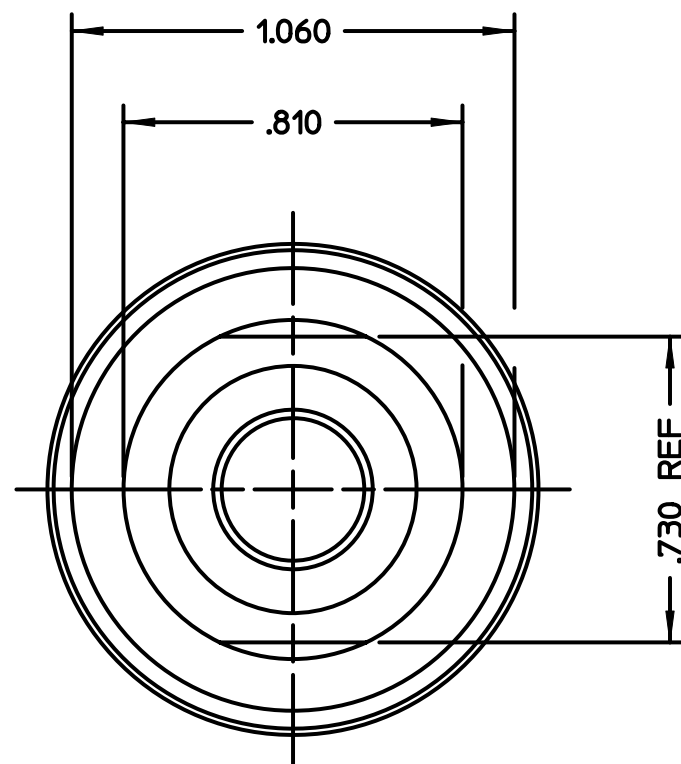


REV	DESCRIPTION	DATE
G	REDESIGNED NOSE ASSEMBLY	10/22/09
H	122125 UNITIZED JAWS WAS 129358 ADDED 89177 SPACER	11/11/09

NOTES:

1 SHIP WITH P/N 114431 PINTAIL TUBE.



FORM: KE104 REV D		By accepting this proprietary Huck drawing, recipient agrees not to reproduce or disclose any part thereof to any others without the written permission of Huck International, Inc.			
ITAR:		ECCN: EAR99		SCH B#: 8467.99.0190	
MATERIAL:		SPEC:		TOLERANCES UNLESS OTHERWISE SPECIFIED:	
HARDNESS:		(RAW OR STOCKED STATE)		(ALL DIMENSIONS ARE IN INCHES)	
HEAT TREAT TO:		SPEC:		.XX, .XXX ± .01, .005	
SURFACE TREAT:		SPEC:		INT. COR. RADII .005-.015	
SURFACE FINISH NOT TO EXCEED: 125 Ra		BREAK EDGES		.005-.015	
IDENTIFICATION PER SPEC 42-311: ★ PERMANENT		ANGLES ±		3°	
SURFACES TO BE ○, //, ⊕, ⊥, & □ WITHIN .005 T.I.R.		FINAL ASSY: 245,353,2580		B 99-830-1	
		DET: CHR		CK: DATE: 10/22/09 SCALE: 2:1	