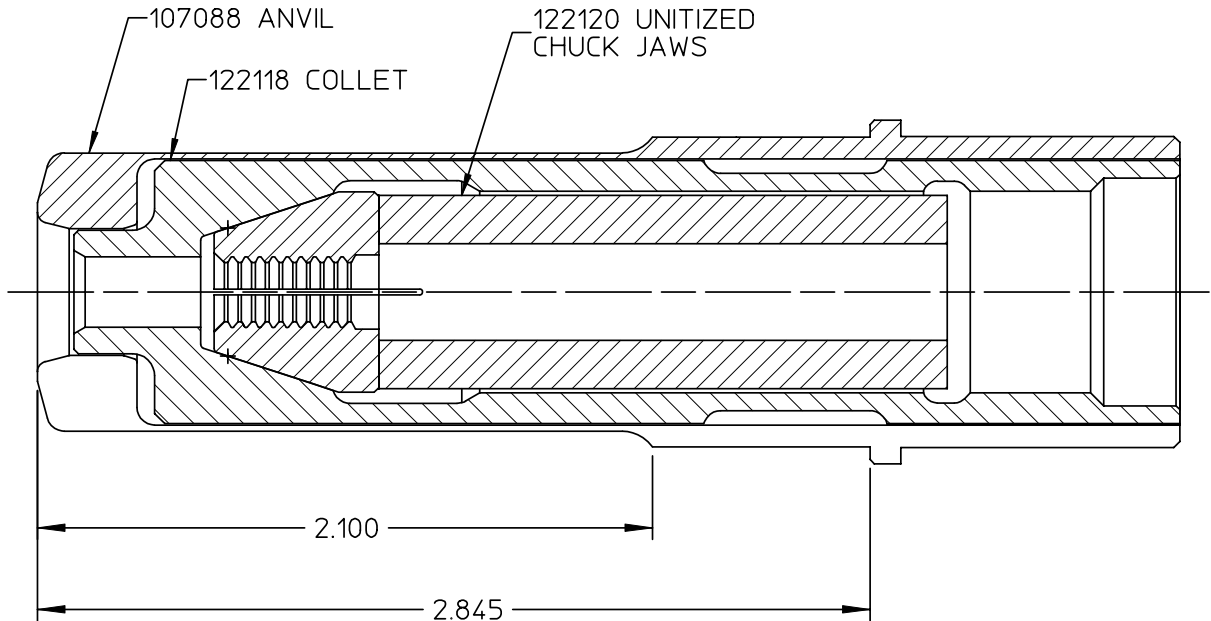
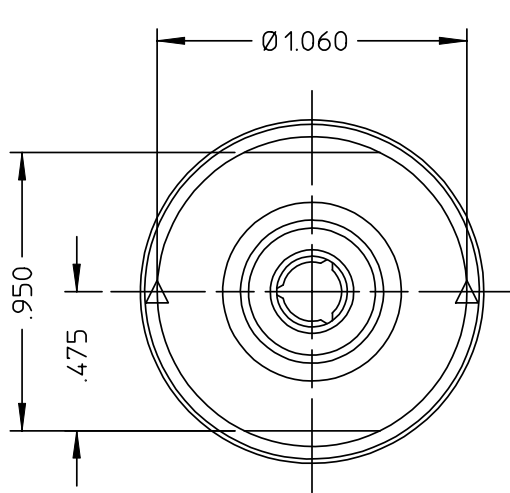


DATA SHEET



Alcoa Fastening Systems

Commercial Products
 1 Corporate Drive, Kingston, NY 12401

NOSE TYPE: NON-SELF-RELEASING

FASTENER TYPE: -10 BOM

TOOL(S): 4800

Notes:

Product Revision: **H**

US Patent:

Date: 06/17/03

NOTE:

- THE FOLLOWING STEEL DFLECTORS ARE OPTIONALLY AVAILABLE:
 FOR USE WITH 246 TOOL, USE 123634-246.
 FOR USE WITH 2502/2503 TOOL USE 123634-2503.
 FOR USE WITH 2580 TOOL USE 123634-2580.

99-769

Part Number