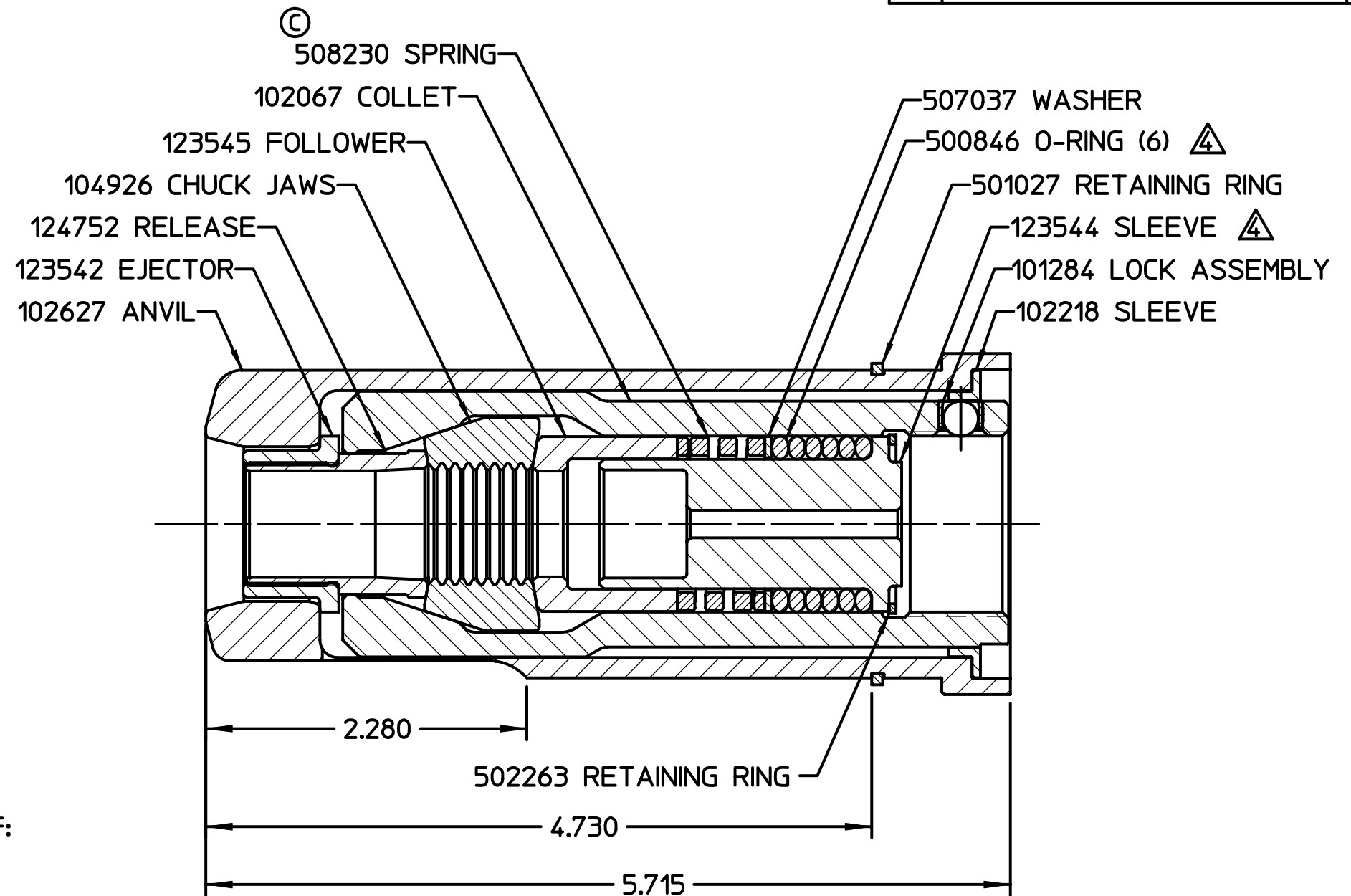
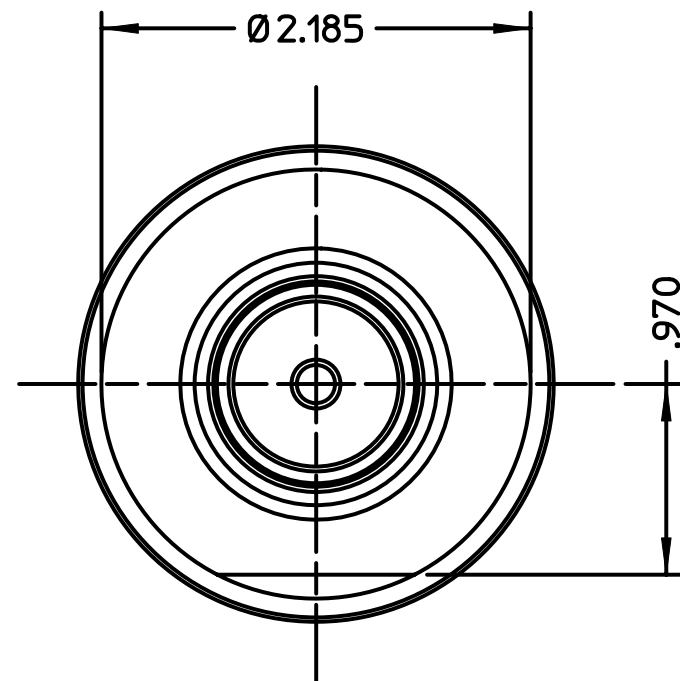


REV	DESCRIPTION	DATE
C	508230 SPRING AS 507035 SPRING	04/24/07



NOTES:

- 1 COLLET AND LOCK ASSEMBLY 123547 CONSISTS OF:
102067 COLLET, (NOT AVAILABLE SEPARATELY).
101284 LOCK ASSEMBLY
123542 EJECTOR
124752 RELEASE
- 2 RELEASE AND EJECTOR KIT 123546 CONSISTS OF:
124752 RELEASE
123542 EJECTOR
- 3 SHIP WITH CAUTION TAG 590152.
- ⚠ ASSEMBLE SLEEVE AND O-RINGS PER HUCK SPEC. 42-491.
- 5 RELEASE AND EJECTOR ASSEMBLY TOOL 124751
OPTIONALLY AVAILABLE.

HUCK INTERNATIONAL, INC., I.S.D. 85 GRAND STREET, P.O. BOX 2270 KINGSTON, NEW YORK 12401			
NOSE ASSEMBLY -24 C50L			
DET: CHR.	CK:	DATE: 04/24/07	SCALE: 1/1
FOC. FAC.	B	99-5010	