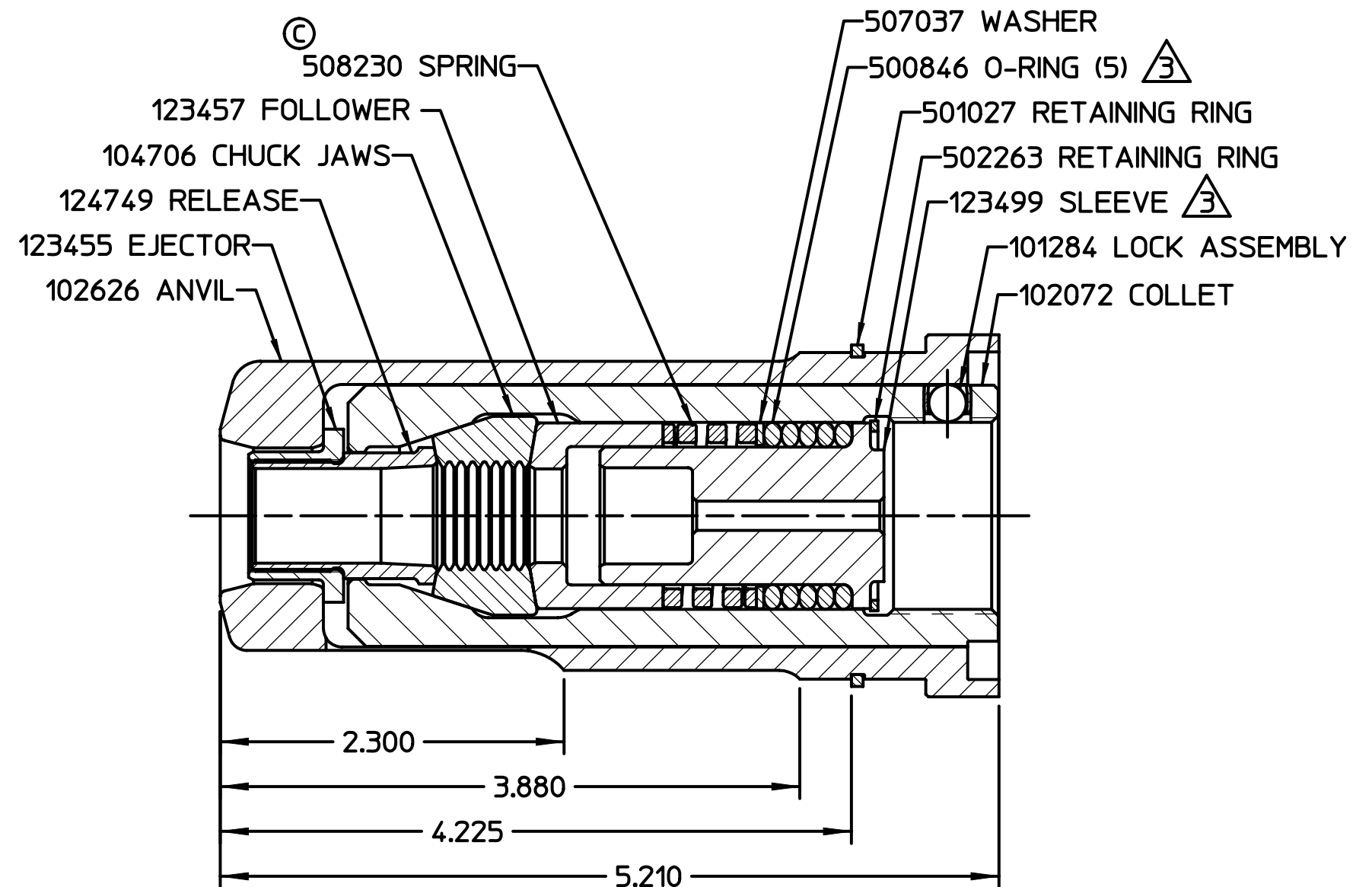
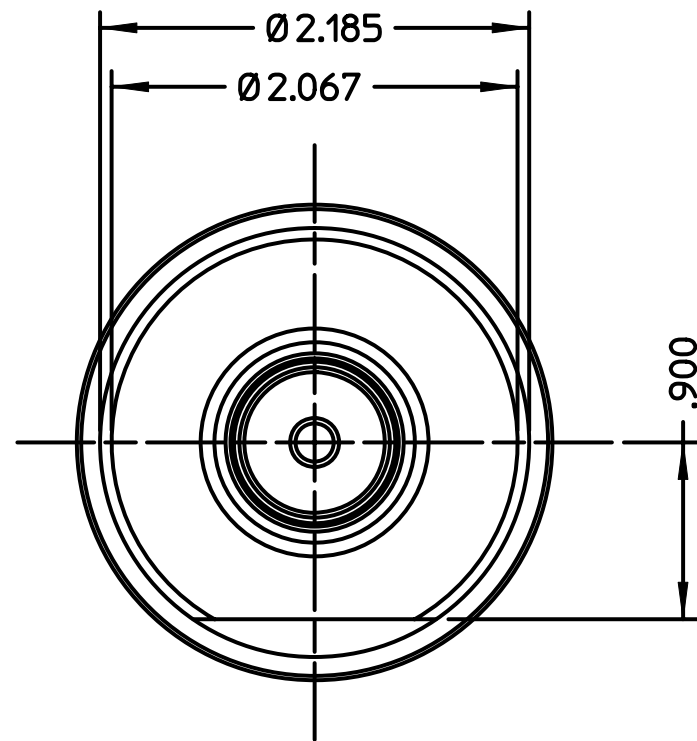


REV	DESCRIPTION	DATE
C	508230 SPRING WAS 507035 SPRING	04/23/07



NOTES:

- 1 COLLET AND LOCK ASSEMBLY 123458 CONSISTS OF:
COLLET 102072, NOT AVAILABLE SEPARATLY
LOCK ASSEMBLY 101284,
RELEASE 124749,
EJECTOR 123455.
- 2 RELEASE AND EJECTOR KIT 123459 CONSISTS OF:
RELEASE 124749,
EJECTOR 123455.
- 3 ASSEMBLE SLEEVE AND O-RINGS PER HUCK SPEC. 42-491.
- 4 SHIP WITH CAUTION TAG 590152.
- 5 RELEASE AND EJECTOR ASSEMBLY TOOL 124751 OPTIONALLLY AVAILABLE.

HUCK INTERNATIONAL, INC., I.S.D.
85 GRAND STREET, P.O. BOX 2270
KINGSTON, NEW YORK 12401

NOSE ASSEMBLY
-20 C50L

DET: CHR. CK: DATE: 04/23/07 SCALE: 2/1

FOC. FAC. B 99-5008