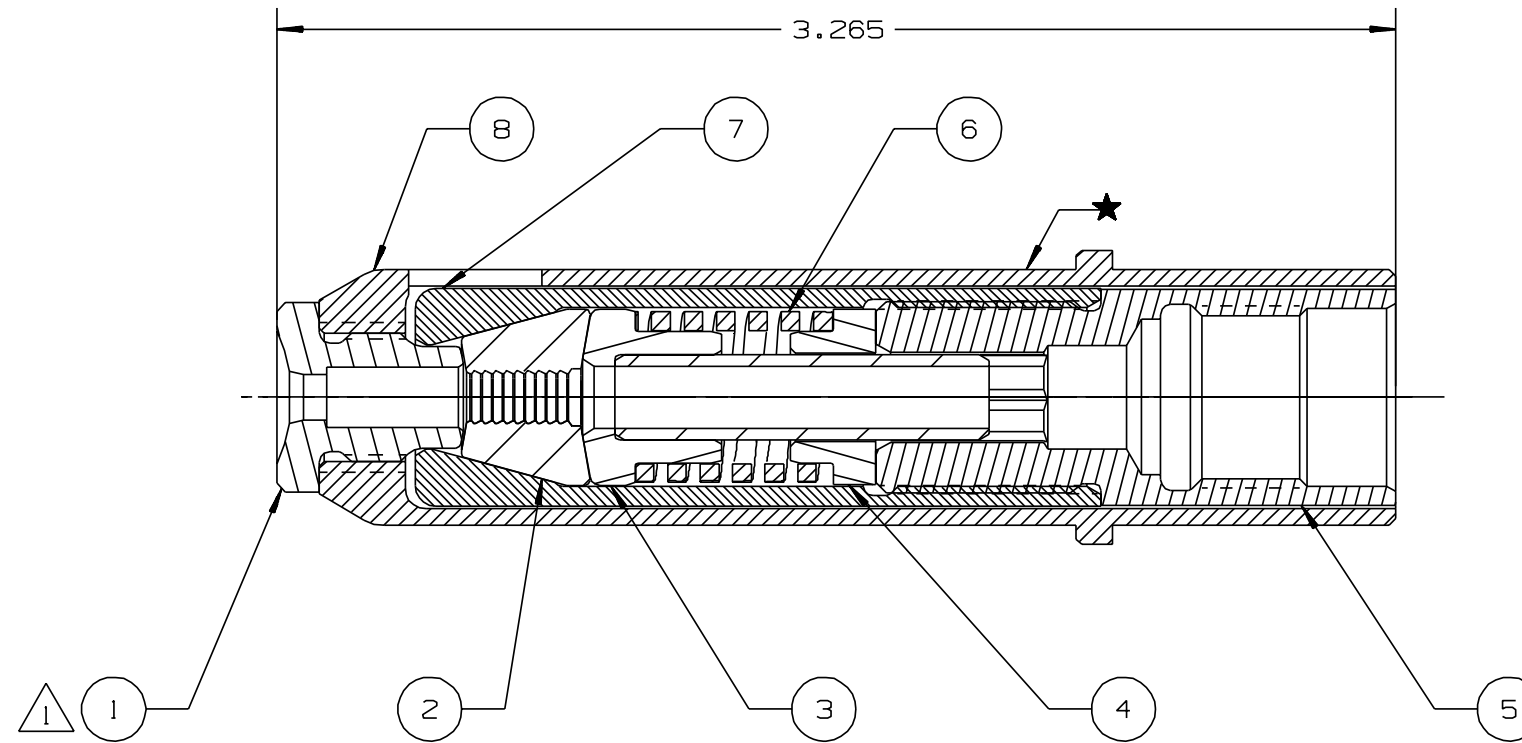
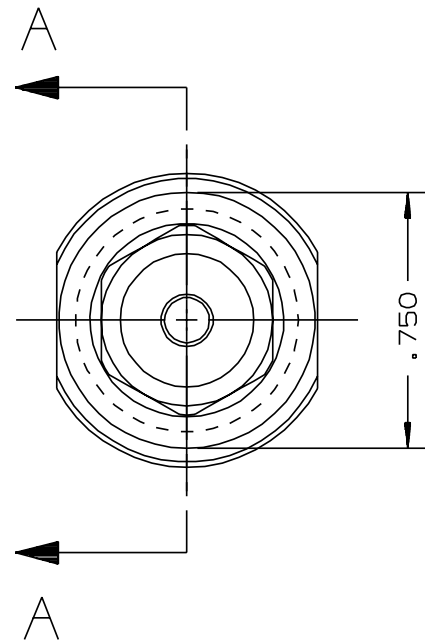


REV	DESCRIPTION	DATE
H	124728 REPLACED BY 128346	12/06/06



SECTION A - A

116910	1	ANVIL HOLDER	8
116909	1	COLLET	7
123877	1	SPRING	6
124360	1	EXTENSION	5
116912	1	CAP	4
116911	1	FOLLOWER	3
128346	1	CHUCK JAWS	2
117564	1	ANVIL INSERT	1
PART NO.	QTY	DESCRIPTION	ITEM

NOTES:

1. FLAT FACE INSERT, FOR COUNTERSUNK PRODUCTS, OPTIONALLY AVAILABLE, PART# 117841
2. IDENTIFICATION PER SPEC 42-311: ETCH

HUCK INTERNATIONAL, INC., I.S.D.
1 CORPORATE DR., P.O. BOX 2270
KINGSTON, NEW YORK 12401

NOSE ASSEMBLY -.06 MGL STANDARD
SELF RELEASING - 2480, 202

DET: NDG OK: DATE: 5/30/91 SCALE: 2:1

FOC.
FAC.

B

99-3303