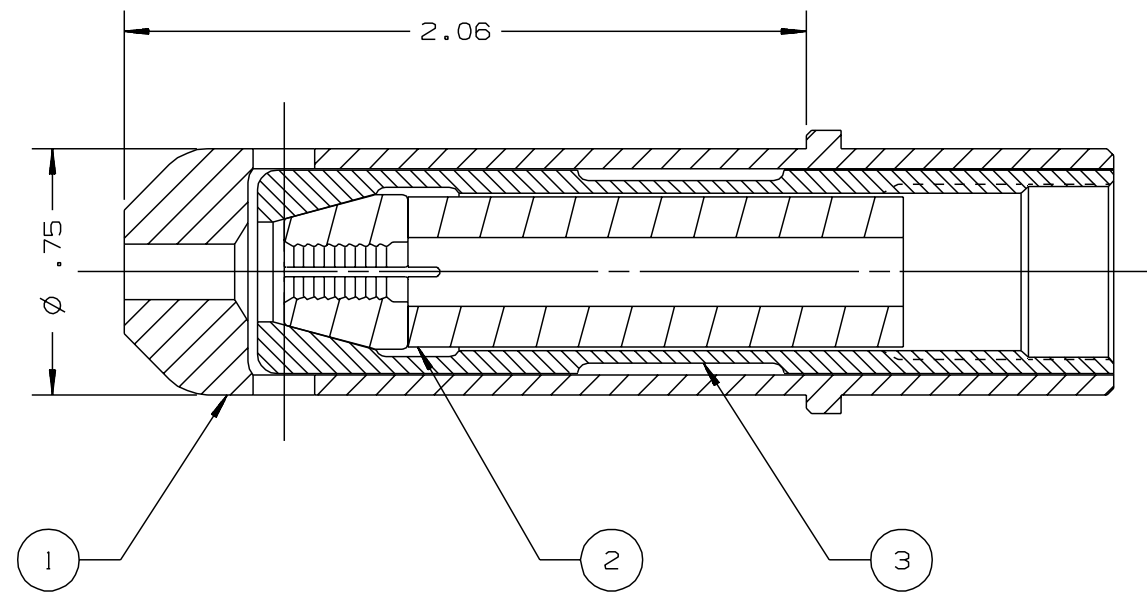
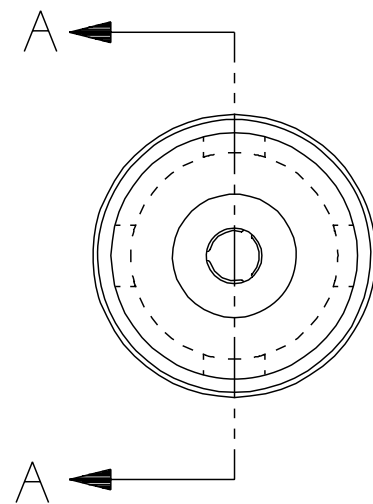


REV	DESCRIPTION	DATE
C	MODELED IN UG	5/31/06



SECTION A - A

118909	1	COLLET	3
118904	1	UNITIZED CHUCK JAWS	2
118906	1	ANVIL	1
PART NO.	QTY	DISCRIPTION	ITEM

HUCK INTERNATIONAL, INC., I.S.D.
1 CORPORATE DR., P.O. BOX 2270
KINGSTON, NEW YORK 12401

NOSE ASSEMBLY -08 MGL
NONE-SELF-RELEASING - 210,212,230,2480

DET: MJK CK: DATE: 5/23/90 SCALE: 2:1

FOC. FAC. B 99-3301