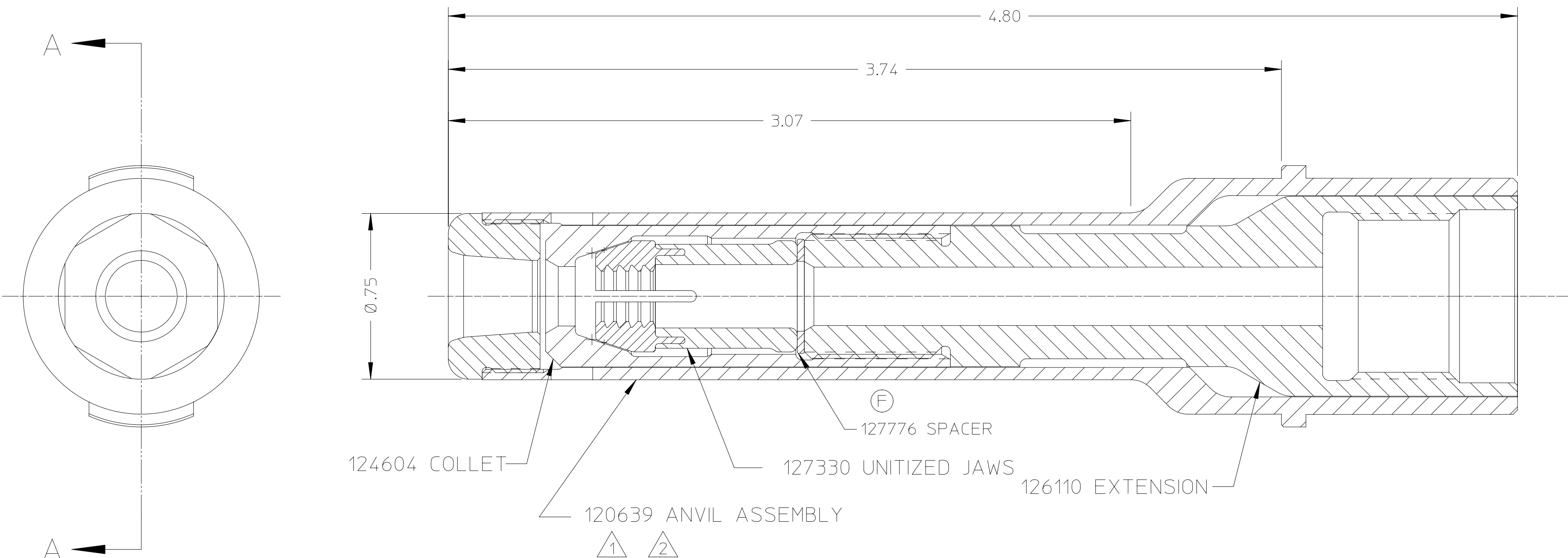


By accepting this proprietary Huck drawing, recipient agrees not to reproduce or disclose any part thereof to any others without the written permission of Huck International, Inc.

| REV | DESCRIPTION | DATE |
|-----|---------------------|----------|
| F | ADDED 127776 SPACER | 05/05/05 |



SECTION A-A

NOTES:

- 1. ANVIL ASSY 120639 CONSISTS OF:
(1) 120718 ANVIL HOLDER AND
(1) 120625 ANVIL INSERT
BOTH ARE AVAILABLE INDIVIDUALLY.
- 2. ANVIL INSERT WRENCH 125400 IS
OPTIONALLY AVAILABLE.

| | | | |
|--|-----|---------------|------------|
| HUCK INTERNATIONAL, INC., I.E.D. 85 GRAND STREET, P.O. BOX 2270 KINGSTON, NEW YORK 12401 | | | |
| NOSE ASSEMBLY -08 MG | | | |
| DET: CHR | CK: | DATE:05/05/05 | SCALE: 2/1 |
| FOC. | B | 99-3207 | |
| FAC. | | | |