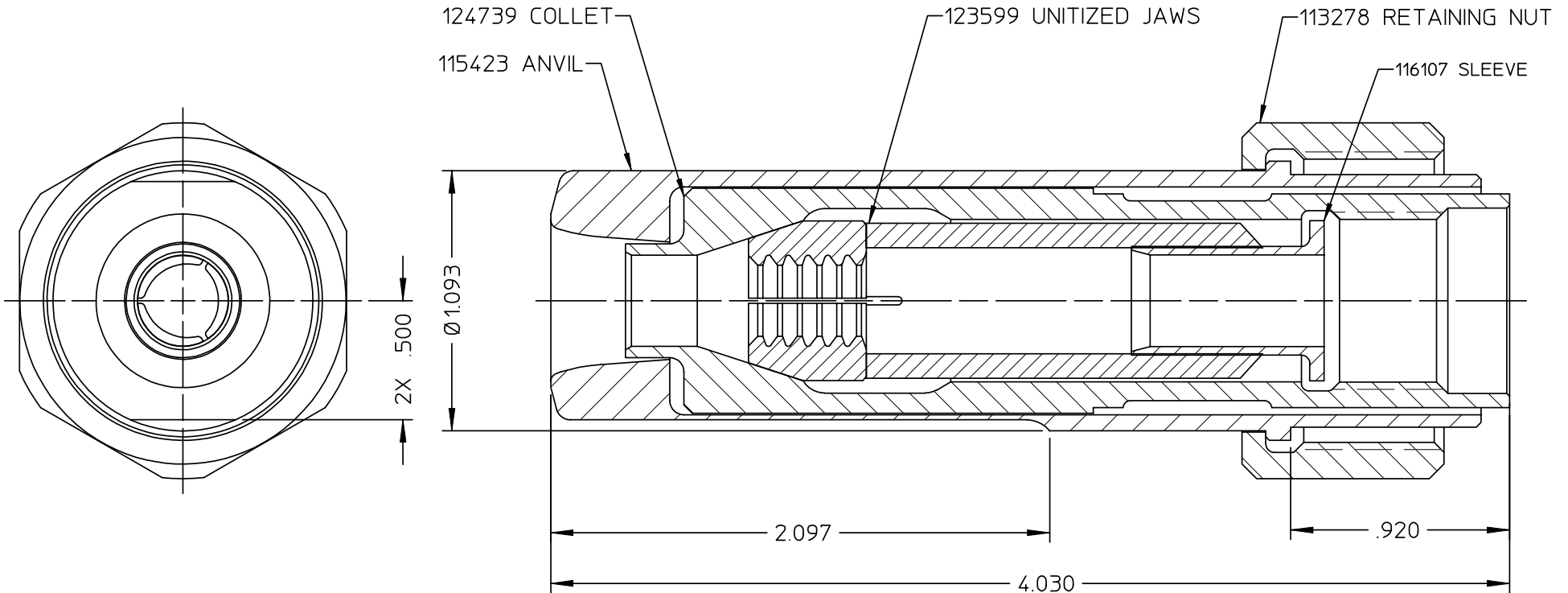


# DATA SHEET



**Alcoa Fastening Systems**

Commercial Products  
1 Corporate Drive, Kingston, NY 12401

TYPE:	NON-SELF-RELEASING
FASTENER:	-12 MG
TOOL(S):	246

Notes: Product Revision: **G**

US Patent: Date: 07/24/03

99-1440

Part Number